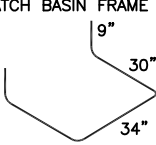


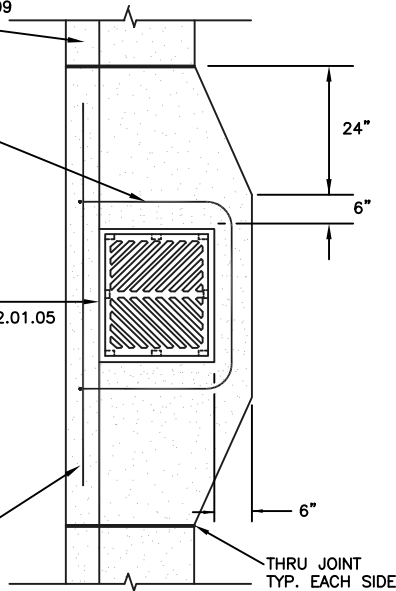
CURB AND GUTTER, SEE CITY STANDARD DETAIL NO. 01.02.09 FOR ADDITIONAL INFORMATION

#4 BAR WRAPPED AROUND CATCH BASIN FRAME



CAST IRON FRAME & GRATE SEE CITY STANDARD DETAIL NO. 02.01.05

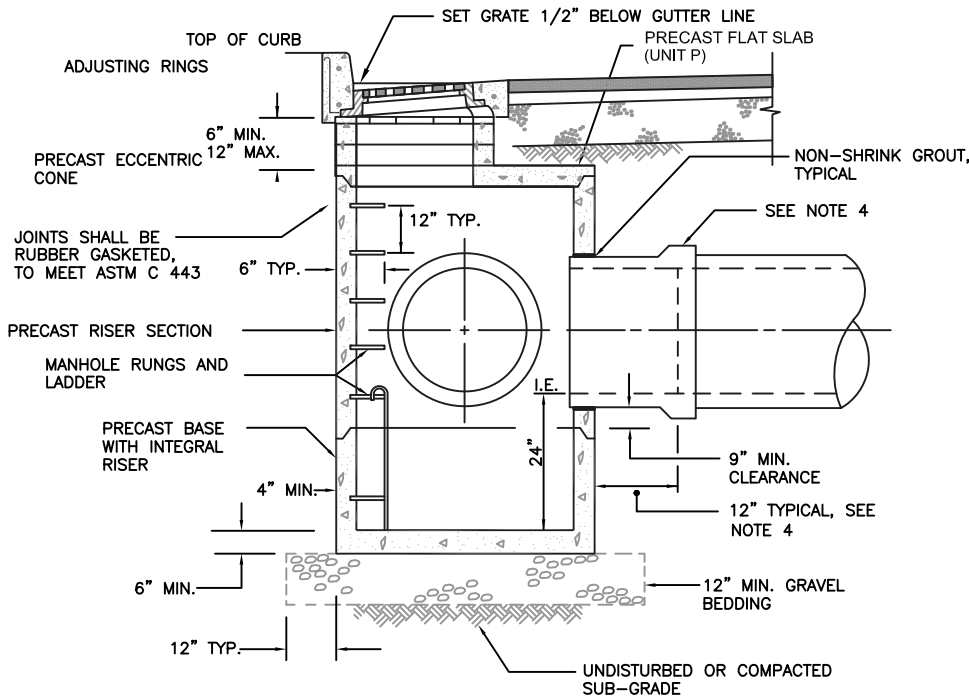
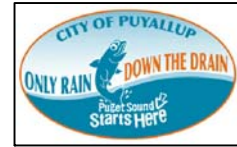
2- #4 x 6' TOP AND BOTTOM, PLACE TOP BAR 3" FROM TOP OF THE CURB, PLACE BOTTOM BAR 3" FROM BOTTOM OF THE CURB



PLAN VIEW

NOTES:

1. MAXIMUM LENGTH OF PIPE BETWEEN CATCH BASINS SHALL BE 400'.
2. MAXIMUM GUTTER LINE FLOW LENGTH SHALL BE 300'.
3. TYPE II CATCH BASIN IS USED FOR DEPTHS GREATER THAN 5'-0" FROM TOP OF GRATE TO I.E.(PIPE INVERT).
4. PRECAST BASE SECTION SHALL BE FURNISHED WITH CUTOUTS OR KNOCKOUTS. KNOCKOUTS SHALL HAVE A WALL THICKNESS OF 2" MIN. KNOCKOUT OR CUTOUT HOLE SIZE SHALL EQUAL THE PIPE OUTER DIAMETER PLUS THE MANHOLE WALL THICKNESS.
5. SEE CITY STANDARD DETAIL NO. 02.01.01 FOR ADDITIONAL INFORMATION REGARDING INSTALLATION OF MANHOLE SECTION.
6. CATCH BASIN SHALL BE CONSTRUCTED IN ACCORDANCE WITH ASTM C 478 (AASHTO M 199) AND ASTM C 890 UNLESS OTHERWISE NOTED.
7. CATCH BASIN MARKER WILL BE AFFIXED WITH MANUFACTURER'S EPOXY IN DRY WEATHER, 40 DEGREES OR WARMER. IF CURB EXIST MARKER IS PLACED ON TOP OF CURB, IF A RAISED EDGE PLACE MARKER ON THE WEDGE, IF NO CURB PLACE ON PAVEMENT ON SIDE LEAST EXPOSED TO TRAFFIC



CITY OF PUYALLUP

DEVELOPMENT ENGINEERING and PUBLIC WORKS DEPARTMENTS

CATCH BASIN TYPE II

DRAWN BY LINDA LANSING	CHECKED BY LINDA LIAN	APPROVED BY COLLEEN HARRIS	REVISED BY XXXX	CITY STANDARD
FILE NAME F:\DWG\COMMON\STDS\CITY\2009\02_SD\02.01.04	DATE APPROVED 09/01/1992	DATE REVISED 06/01/2003	SCALE NTS	02.01.04