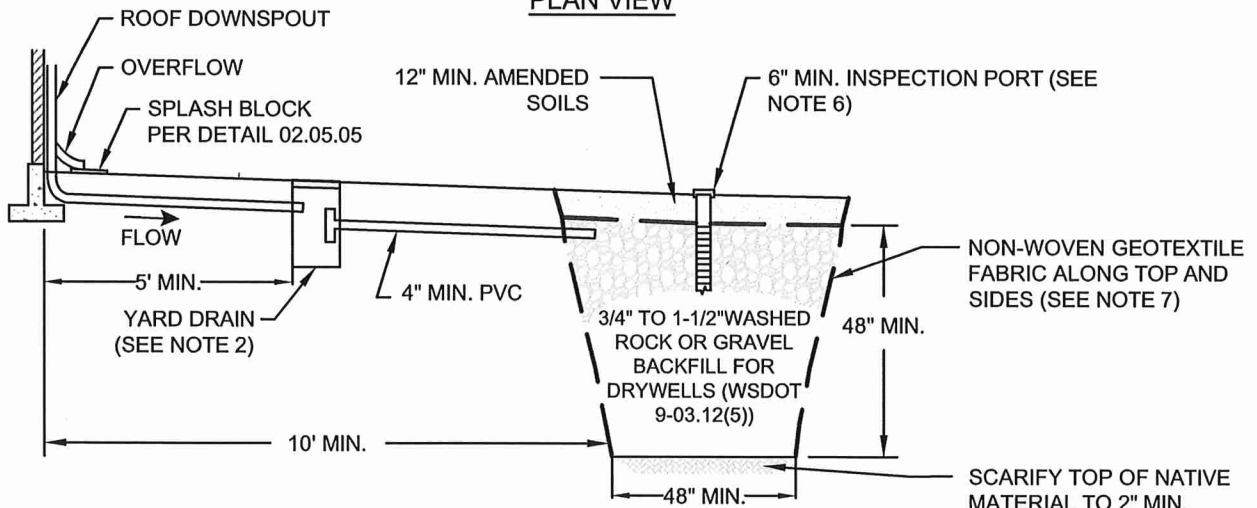


PLAN VIEW



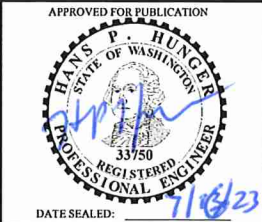
DRYWELL PROFILE

NOTES:

1. ROOF DRAIN SHALL PROVIDE POSITIVE FLOW FROM DOWNSPOUTS (DS) TO YARD DRAINS.
2. YARD DRAINS SHALL BE INSTALLED UPSTREAM OF EACH ROOF DOWNSPOUT DRYWELL IN ACCORDANCE WITH STD DETAIL 02.05.02.
3. DRYWELL BOTTOM SHALL BE A MINIMUM OF 1' ABOVE SEASONAL HIGH GROUNDWATER OR IMPERMEABLE SOIL LAYER.
4. DRYWELL SHALL BE DESIGNED IN ACCORDANCE WITH SECTION 210.3.
5. DRYWELL SHALL NOT BE INSTALLED UNDER IMPERVIOUS SURFACES.
6. INSPECTION PORT SHALL BE INSTALLED IN ACCORDANCE WITH STD DETAIL 02.01.10.
7. NON-WOVEN GEOTEXTILE TO CONFORM TO WSDOT 9-33.2(1), TABLE 1 AND 2.



CITY OF PUYALLUP
PUBLIC WORKS AND DEVELOPMENT ENGINEERING



DOWNSPOUT DRYWELL

SCALE: NTS	DATE REVISED: 05/19/2023	CITY STANDARD
FILE NAME: Y:\Shared\Drawings\City Standards\2018\02 - PART 2 - STANDARD DETAILS\CAD\200\02.05.04		02.05.04