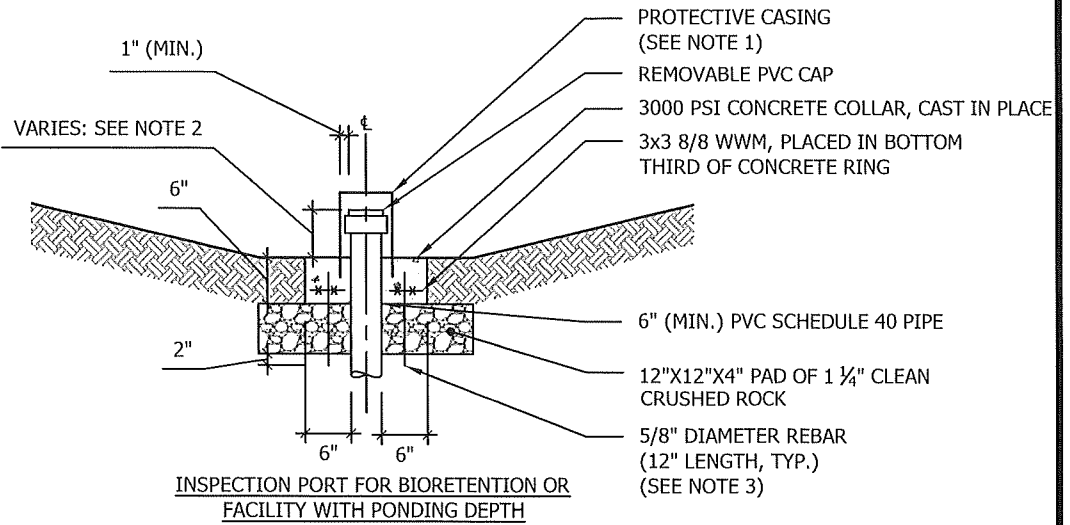


NOTES:

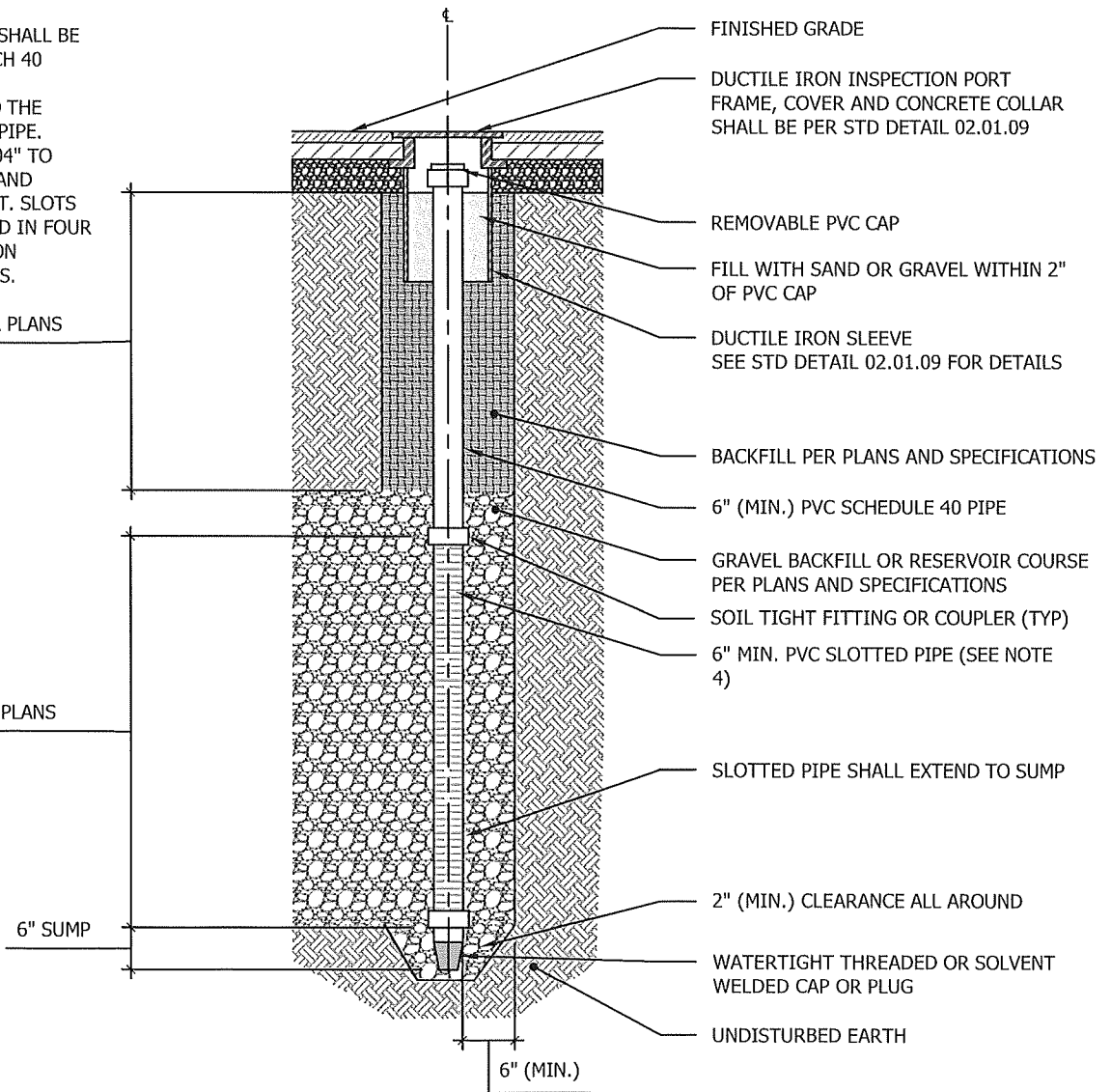
1. INSPECTION PORT COVER SHALL BE SECURED IN CONCRETE SURROUND (1'-4" TOTAL DIAMETER) IF PORT IS NOT OTHERWISE SECURED BY SURFACE RESTORATION.
2. FOR INSPECTION PORTS LOCATED WITHIN BIORETENTION CELLS OR A FACILITY WITH PONDING DEPTH, PVC CAP SHALL EXTEND 2" ABOVE MAXIMUM PONDING DEPTH.
3. FOR OBSERVATION PORTS LOCATED IN A BIORETENTION CELL OR A FACILITY WITH PONDING DEPTH, PLACE THREE (3) LENGTHS OF REBAR EVENLY SPACED AROUND COLLAR, AND 3" FROM OUTER EDGE.
4. SLOTTED PVC PIPE SHALL BE PER ASTM D1785 SCH 40 WITH SLOTS CUT PERPENDICULAR TO THE LONG AXIS OF THE PIPE. SLOTS SHALL BE 0.04" TO 0.069" BY 1" LONG AND SPACED 0.25" APART. SLOTS SHALL BE ARRANGED IN FOUR (4) ROWS SPACED ON 45-DEGREE CENTERS.

VARIES: DEPTH PER PLANS

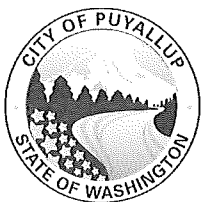
VARIES: DEPTH PER PLANS



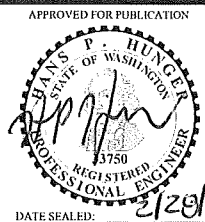
INSPECTION PORT FOR BIORETENTION OR FACILITY WITH PONDING DEPTH



INSPECTION PORT FOR INFILTRATION FACILITY OR PERMEABLE PAVEMENT



CITY OF PUYALLUP
PUBLIC WORKS AND DEVELOPMENT ENGINEERING



STORM DRAIN INSPECTION PORT

| | | |
|---------------------------------------------------------------------------------------------------|-----------------------------|------------------|
| SCALE NTS | DATE REVISED: 01/06/2023 | CITY STANDARD |
| FILE NAME: Y:\Shared\Drawings\City Standards\2018\02 - PART 2 - STANDARD DETAILS\CAD\200\02.01.10 | | 02.01.10 |