

Stream Buffer Boundary



City of Puyallup
Development Services

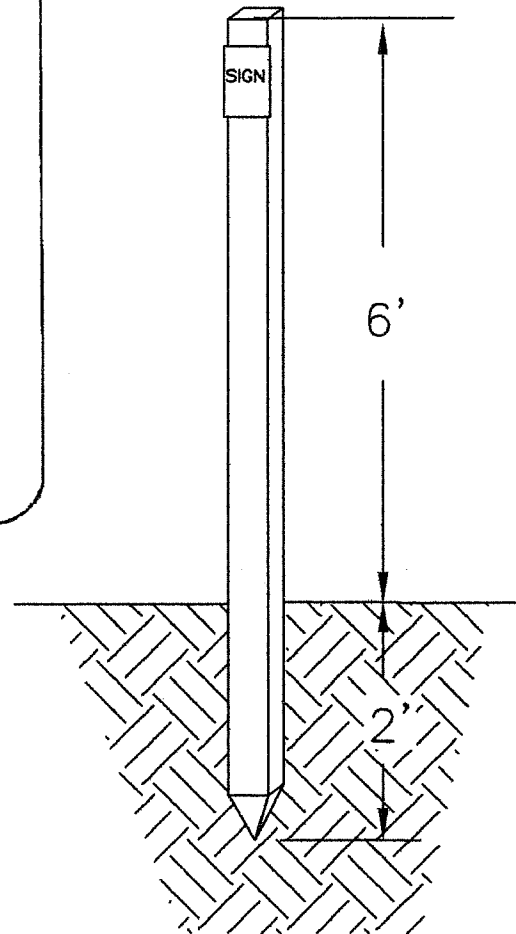
P-4386



J. L. DARLING CORP.
(253) 922-5000



Max Sign Posting Distance
1 sign every 50'



4"x4" TREATED POST
WITH BUFFER SIGN



CITY OF
PUYALLUP
DEVELOPMENT
SERVICES
DEPARTMENT

SIGN POSTING DETAIL

DRAWN BY JENNIFER RECCO	PLOTTING SCALE NTS/ 1=1	DATE APPROVED 6-05	REVISED	SIGN POSTING DETAIL
FILE NAME P:\puyallup\development\sign_posting_specs.dwg	CHECKED BY N. EKLUND	REVISED BY		