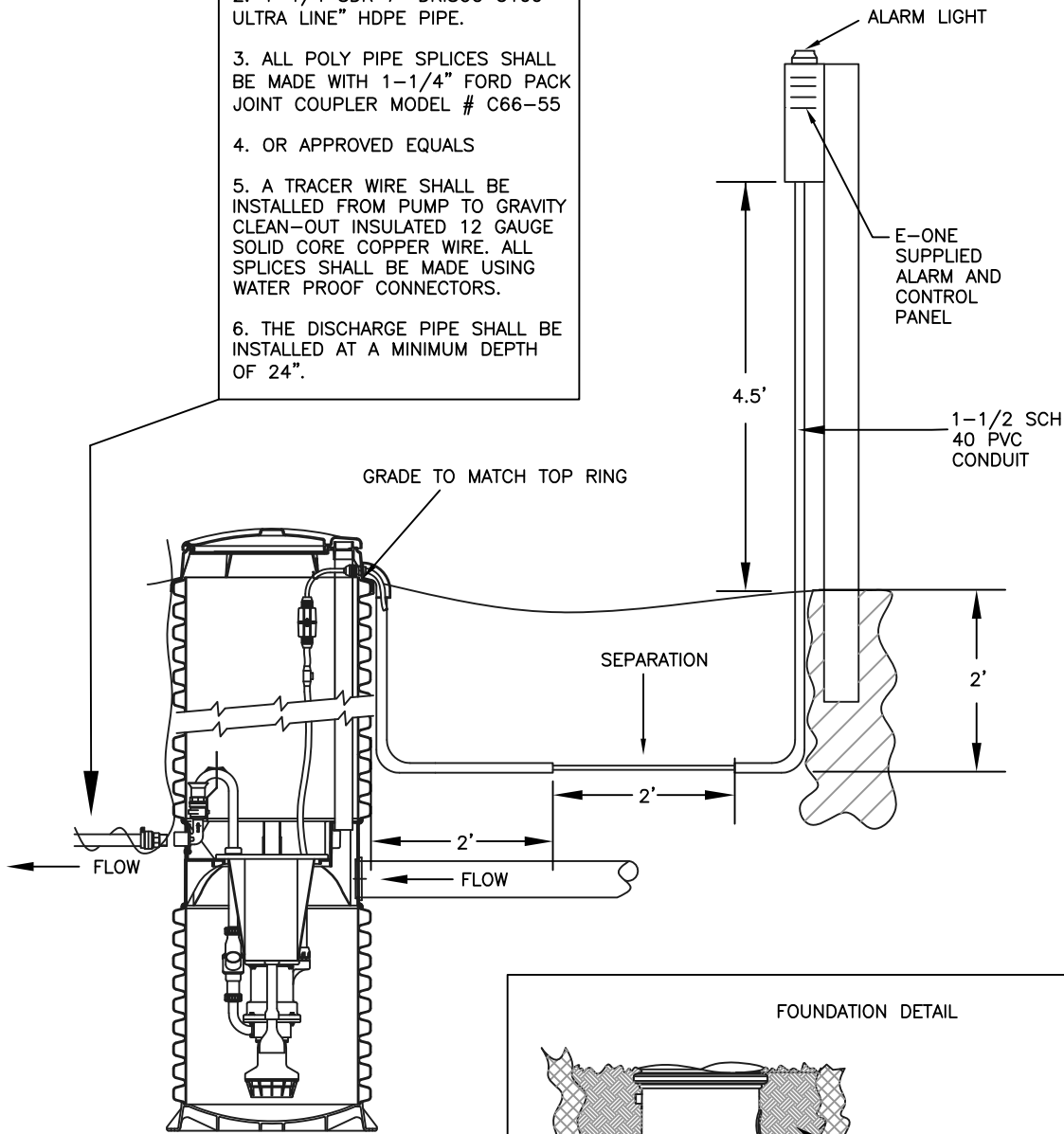


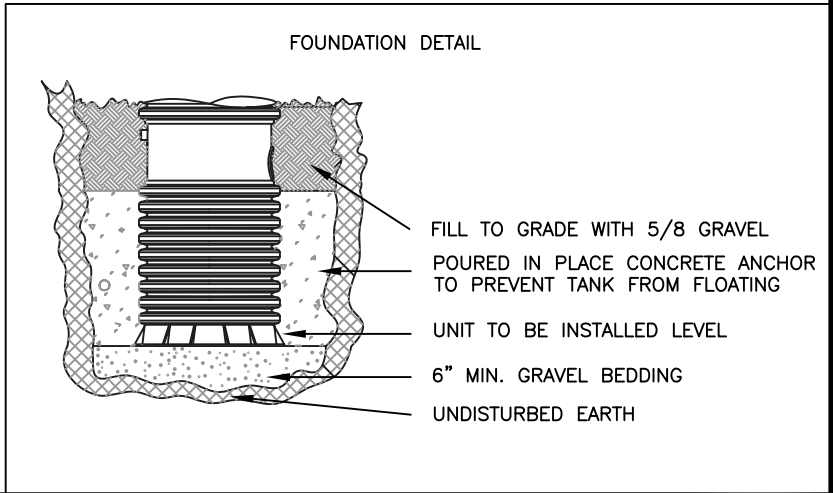
**PRESSURE DISCHARGE LINE:**

- 1-1/4" FORD PACK JOINT COUPLER MODEL # C86-55 WITH INSERT STRIFFENERS.
- 1-1/4 SDR 7 "DRISCO 5100 ULTRA LINE" HDPE PIPE.
- ALL POLY PIPE SPLICES SHALL BE MADE WITH 1-1/4" FORD PACK JOINT COUPLER MODEL # C66-55
- OR APPROVED EQUALS
- A TRACER WIRE SHALL BE INSTALLED FROM PUMP TO GRAVITY CLEAN-OUT INSULATED 12 GAUGE SOLID CORE COPPER WIRE. ALL SPLICES SHALL BE MADE USING WATER PROOF CONNECTORS.
- THE DISCHARGE PIPE SHALL BE INSTALLED AT A MINIMUM DEPTH OF 24".



**GRAVITY SIDE SEWER INLET:**

- 2% MINIMUM GRADE
- 4" MIN. PVC SEWER PIPE
- BUILDING CLEAN-OUT REQUIRED



# CITY OF PUYALLUP

DEVELOPMENT ENGINEERING and PUBLIC WORKS DEPARTMENTS

# GRINDER PUMP INSTALLATION DETAIL

<small>DRAWN BY</small> JIM ERWIN-SVOBODA	<small>CHECKED BY</small> LINDA LIAN	<small>APPROVED BY</small> COLLEEN HARRIS	<small>REVISED BY</small> XXXX	<small>CITY STANDARD</small>
<small>FILE NAME</small> F:\DWG\COMMON\STDS\CITY\2009\04_SS\04.05\04.05.02	<small>DATE APPROVED</small> 07/01/2009	<small>DATE REVISED</small> XX/XX/XX	<small>SCALE</small> 1:2	<b>04.05.02</b>